



**WARNING:** Please take the time to read through the ENTIRE instructions prior to starting any work. Not following the instructions will invalidate the warranty.

## PRECAUTIONS:

1. The solar attic fan is fully functional out of the box. THE FAN WILL OPERATE AS SOON AS THE SOLAR PANEL IS EXPOSED TO THE SUN. PLEASE USE CAUTION AND AVOID THE FAN BLADES DURING INSTALLATION.
2. Ensure normal safety precautions are taken when using tools, ladder and walking on roofs.
3. Do not cut any structural members in the house.
4. Install only in dry weather.

## TOOLS REQUIRED:

- Caulk
- Caulking Gun
- Electrical Tape
- Marking Pencil
- Measuring Tape
- Ladder
- Philips Screwdriver
- Power Drill
- Reciprocating Saw
- Safety Goggles
- Stud Finder
- Utility Knife
- Wire Staples
- 1/4" Masonry Bit (for tile roofs)

## Materials/Tools to Build a Curb:

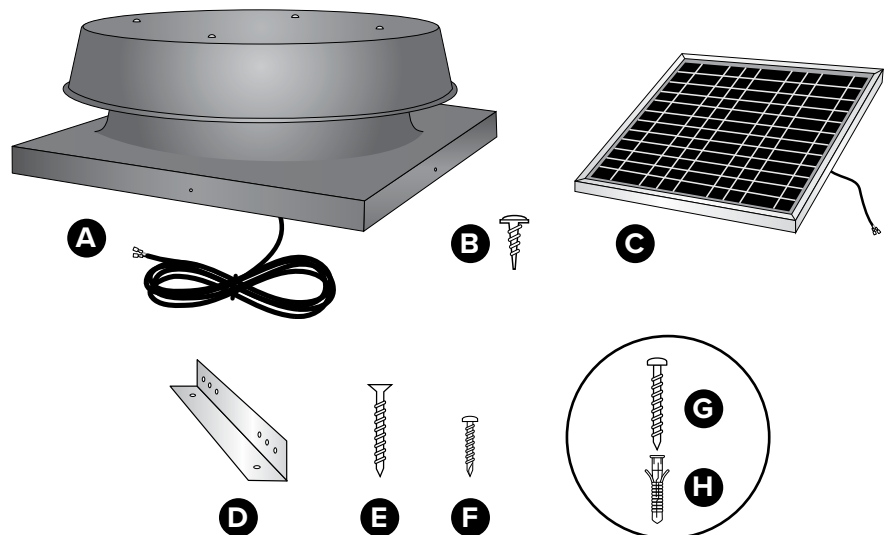
- Pressure-Treated Lumber (2" x 6" or 2" x 8")
- Hand or Circular Saw
- Wood Screws
- Galvanized Nails
- Roofing Material (matching existing roofing)

## IMPORTANT Choose Where to Install Unit:

When determining the location of the remote solar panel, try to install on the south side of the roof, also consider potential problems such as objects shading the panel during certain times of the day. If possible, the curb mount housing should be installed between rafters.

## Remote Panel Kit Components:

- A.** Curb Mount Solar Attic Fan with Cable
- B.** (4) Phillips Head Stainless Steel 1 1/2" Screws
- C.** Solar Panel (16, 32, 48 or 65 watt)
- D.** (2) L-Brackets
- E.** (14) Wood Screws
- F.** (4) Self-Tapping Screws (L-bracket to panel)
- G.** (4) Machine Screws (for tile roofs only)
- H.** (4) Anchors (for tile roofs only)

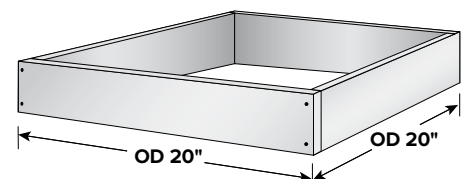


**NOTE:** Additional Power Cable Available

## STEP 1

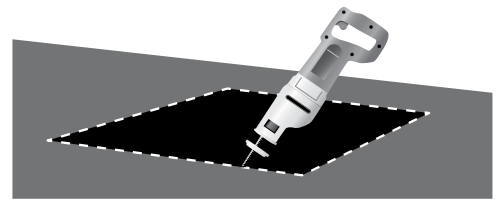
Assemble a curb with the outside dimensions of 20" x 20" using pressure-treated lumber and secure all four corners with wood screws or galvanized nails. Use 2" x 6" or larger lumber and adhere to all local building codes.

**NOTE:** Do not build curb prior to being on job site.



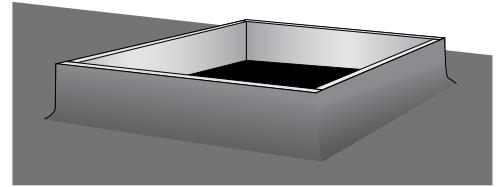
## STEP 2

Locate an area that is **BETWEEN** the trusses to install the solar attic fan. Place the curb on the deck centering the curb over the space between the trusses and mark the inside perimeter of the curb. Using a reciprocating saw, cut out opening. **DO NOT CUT STRUCTURAL FRAMING.**



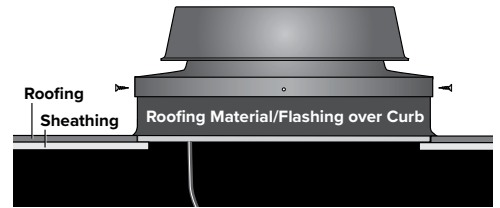
## STEP 3

Center the curb over opening and toe-nail into existing roofing using galvanized nails. If necessary, building blocking to ensure the curb is secure. Wrap the curb with the appropriate roofing material for your roof type. Make sure to completely cover the curb making it weather-tight to prevent leaking.



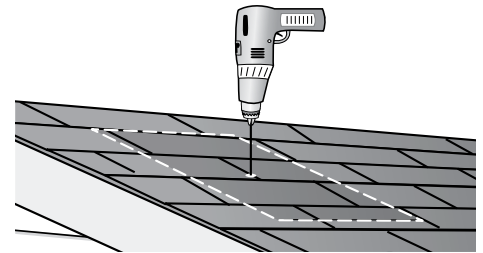
## STEP 4

Attached the solar attic fan **(A)** to the curb using the provided **(4)** screws **(B)** through the pre-drilled holes on the solar attic fan curb lip.



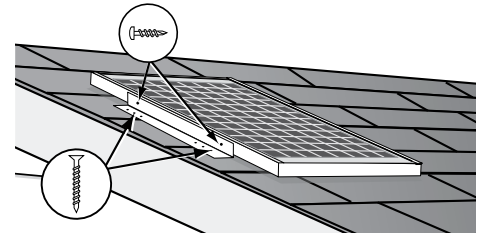
## STEP 5

Locate area to install the solar panel on the roof where it will gather the most amount of sunlight (southern exposure is recommended). Drill a small hole on the roof under where the solar panel will be installed. Push the solar panels' power cable through the hole into the attic space. Caulk around the hole to prevent leaking.

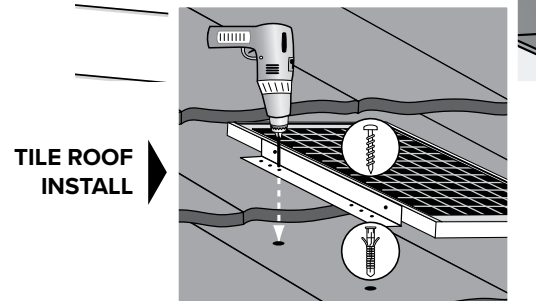


## STEP 6

Attach the L-brackets **(D)** to the long sides of the solar panel with the self-tapping screws **(F)** into the pre-drilled holes on the panel frame. Attach solar panel to the roof using the provided wood screws **(E)**. Caulk around the wood screws to prevent leaks.

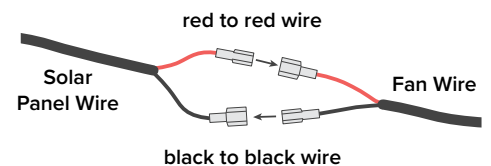


**FOR TILE ROOFS:** Pre-drill holes in tile to accommodate the anchors provided **(H)**. Tap anchors into holes and secure the L-bracket using provided screws **(G)** - see inset.



## STEP 7

From inside the attic, locate the attic fan power cable and connect it to the power cable from the solar panel. Connect the black wire to the black wire and the red wire to the red wire. For additional protection, wrap the connections with electrical tape. Secure any loose wires inside the attic using wire staples (not provided).



**IMPORTANT** - Please make sure the male connector is centered before joining the connectors. Male connector must be inserted into female connector correctly.



## Solar Attic Fan Limited Lifetime Warranty

Natural Light Energy System (hereinafter NLES) warrants any solar attic fan manufactured by NLES to be free from defects in materials and workmanship to the original residential purchaser (hereinafter CONSUMER) from the date of purchase. All aspects of the Warranty are subject to the following limitations, terms and conditions.

### 1. DURATION OF WARRANTY

If a NLES solar attic fan (hereinafter "Equipment") is determined to have a defect in material or workmanship, NLES will, at its sole discretion, repair or replace the defective part at NO CHARGE to the CONSUMER, (excluding labor, and applicable shipping and handling costs) for the duration of the CONSUMER'S ownership of the original equipment (hereinafter "LIFETIME").

### 2. LIMITATIONS OF COVERAGE

This Warranty extends only to the CONSUMER for damage resulting from defects in materials and workmanship, it does not extend to damage caused by the CONSUMER'S neglect or abuse, or by accident, to damage caused by wind, hail or abnormal weather conditions, or to damage caused by acts of God, civil insurrection or extraordinary circumstances which are beyond the control of NLES.

NLES shall not be liable for any direct or indirect damage resulting from the use of the Equipment, and in no event shall the extent of the Warranty coverage exceed the purchase price of the Equipment.

NLES assumes no liability for the determination of the proper equipment necessary to meet a CONSUMER'S requirements, nor does it authorize others to assume such obligations on its behalf.

### 3. MISCELLANEOUS

In order to be considered for validation, all claims for Warranty coverage must be accompanied by a copy of the purchase agreement indicating the date of initial installation, NLES reserves the right to inspect the solar attic fan prior to honoring any Warranty claim.

This Warranty gives you specific legal rights, and you may have other rights which may vary from state to state. Any and all inquiries or claims under this Warranty must be submitted in writing to **Natural Light Energy Systems, Attn: Warranty Department, 10821 N. 23rd Avenue, Phoenix, AZ 85029** or by e-mail to [info@nltubular.com](mailto:info@nltubular.com).



To register your Solar Attic Fan, please visit  
[www.solaratticfan.com/customer-service/warranty-registration/](http://www.solaratticfan.com/customer-service/warranty-registration/)



**REGISTER NOW**