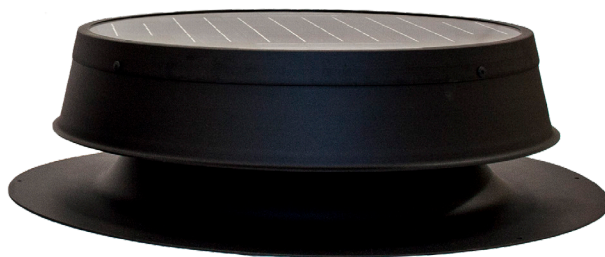
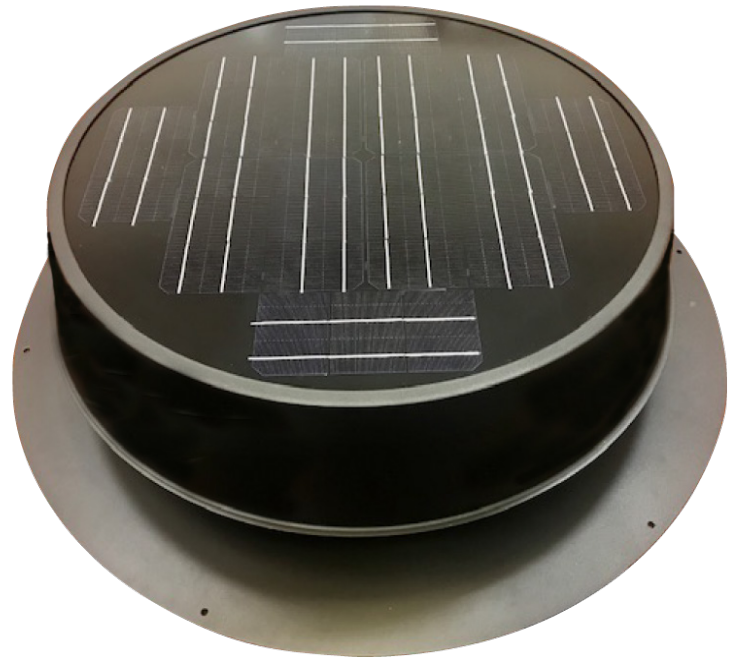




Natural Light Solar Attic Fans

*Now Available in New, Ultra Low-Profile
and Tile Roof models*

1. Extends the life of roof shingles and underlayment
2. Reduces HVAC loads and A/C run times during summer
3. Reduces damage caused by the build-up of attic moisture year-round
4. Commercial-grade aluminum components powder-coated inside & out for extra durability
5. Removable solar panel allows for easy replacement and maintenance without having to replace the entire unit



Ultra Low-Profile

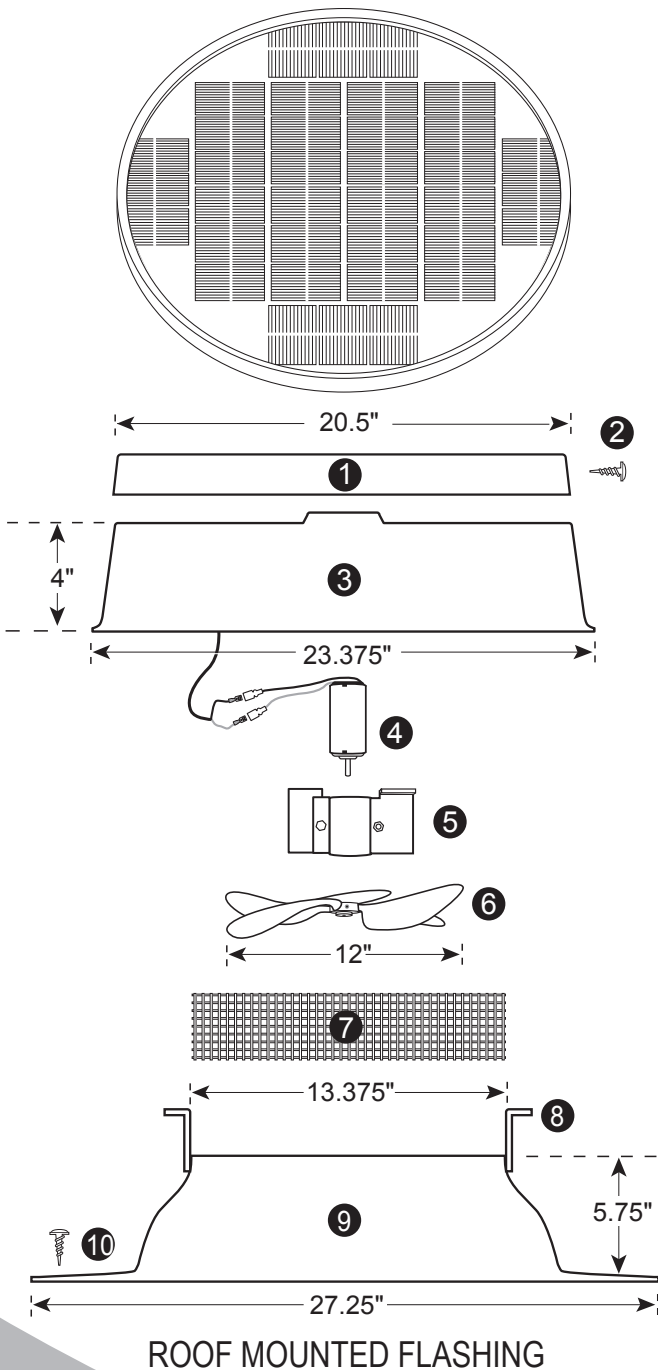
More Attractive and less visible than
non low-profile models



Tile Roof

Perfect for Tile Roof Applications





Ultra Low-Profile Solar Attic Fan

NOTE: The unit comes full assembled. This exploded view of the new Ultra Low-Profile Solar Attic Fan is for illustrative purposes only.

1. 35 watt Solar Panel
2. Four #8x.5" Stainless Steel Phillips Head Screws
3. Commercial-grade, Aluminum Hood
4. Ultra-quiet, continuous run DC Motor
5. Stainless Steel Motor Housing Brackets
6. Precision Pitch Aluminum Fan Blade
7. Stainless Steel Debris/Critter Barrier
8. Rugged 11 Gauge Aluminum Hood Support Brackets
9. Commercial-grade, Aluminum Flashing
10. Six #10x1.5" Stainless Steel Phillips Head Screws

