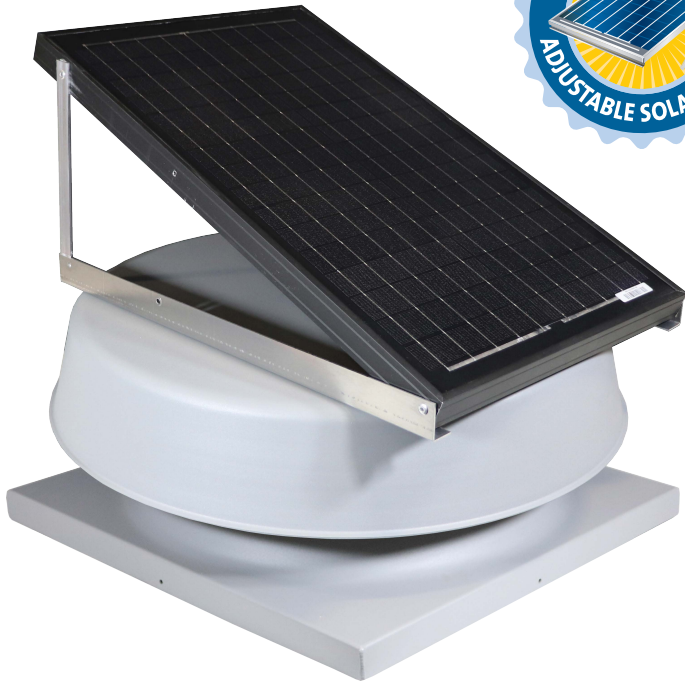


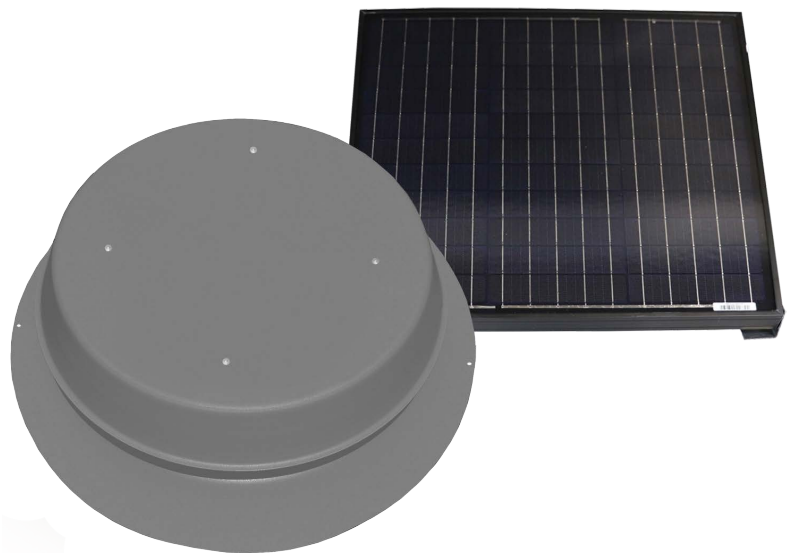
CURB MOUNTED SOLAR ATTIC FAN

The Environmentally Sensible Solution that can SAVE you Money!

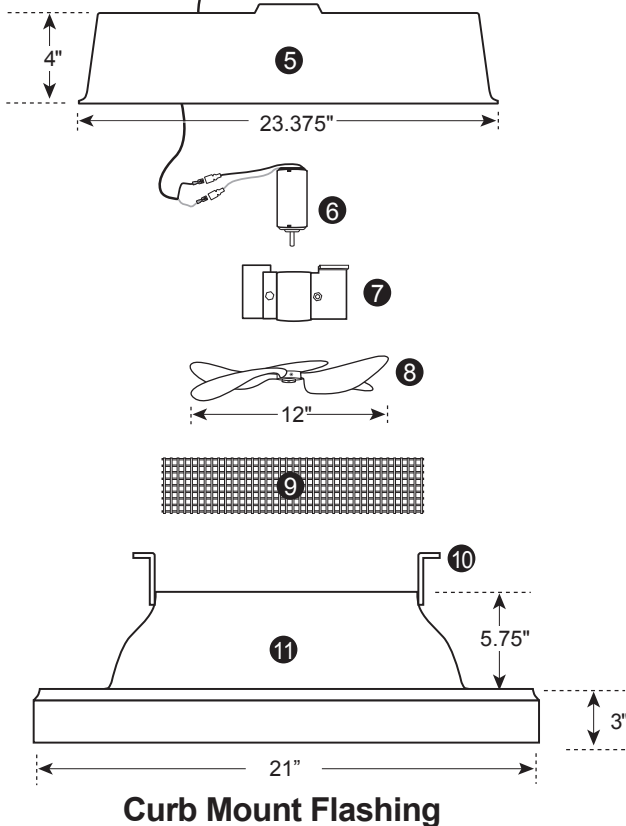
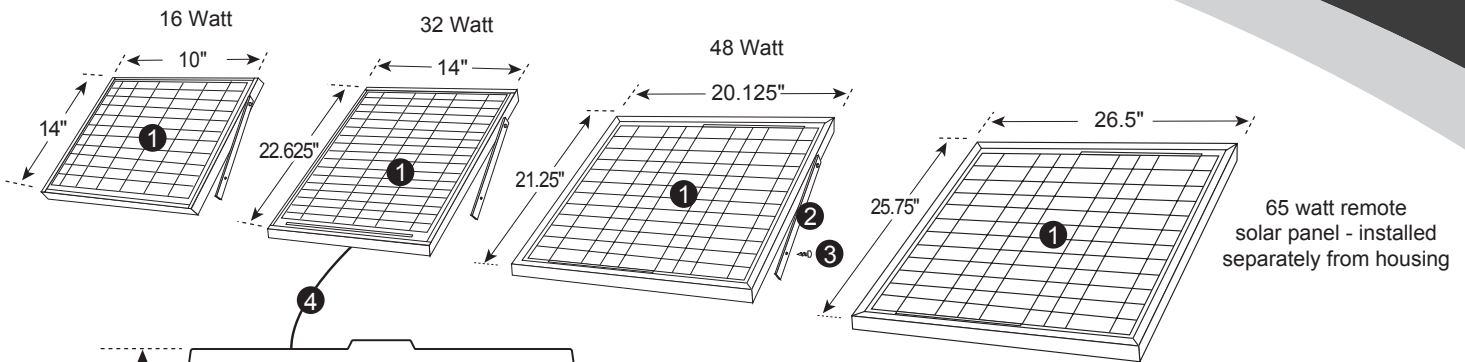


Roof venting is an important aspect in maintaining an energy efficient residence or warehouse. Proper venting cools the roof, extending the life of the roofing material and reduces the load on the air conditioning system. Powered completely by free solar energy, this sleek and efficient vent is both compact and quiet. The commercial fans are available in 16, 32, 48, or 65 watt models and are powder-coated gray, bronze, or black. Fully operational right from the box, the installation of the commercial unit requires no electrical wiring, but the unit must be installed on a pre-built curb.

The NEW 65 watt fans have an unmatched venting capacity of up to 3,350 sq. ft. for those larger jobs that require the most powerful and reliable solar attic fan on the market today. The 65 watt fans are powered by a remote solar panel installed directly onto the roof in the location where it will collect the most amount of sunlight.



OUTSTANDING INDUSTRY WARRANTY:
25-Years on the Housing,
Solar Panel, and Motor



CURB MOUNTED SOLAR ATTIC FAN

NOTE: Exploded view of Solar Attic Fan is for illustrative purposes only. Unit comes fully assembled.

1. Custom Solar Panel (16, 32, 48, or 65 watt available)*
2. (2) Adjustable Solar Panel Bracket
3. (2) #8 x .75" Self-Tapping Screws
4. 18 Gauge Tinned Copper Wire Lead
5. 1100 Series, Commercial Pure Grade Aluminum Hood
6. Custom DC Motor
7. Motor Bracket Assembly
8. Precision Pitch 5 Blade Fan
9. 3.25" x 48" Stainless Steel Wire Mesh
10. (4) Rugged 14 Gauge Hood Support Bracket
11. 1100 Series, Commercial Pure Grade Aluminum Flashing
12. (6) #6 x 1.5" Stainless Steel Phillips Head Screws

*solar panel dimensions may vary slightly

OPTIONAL ACCESSORY:

Thermal Snap Switch available to automatically turns off unit during colder months.

VENTING CAPACITY

- 16 watts – up to 1,300 sf up to 1,184 CFMs
- 32 watts – up to 2,200 sf up to 1,560 CFMs
- 48 watts – up to 2,825 sf up to 1,881 CFMs
- 65 watts – up to 3,350 sf up to 2,105 CFMs

