



**WARNING:** Please take the time to read through the ENTIRE instructions prior to starting any work. Not following the instructions will invalidate the warranty.

## Precautions

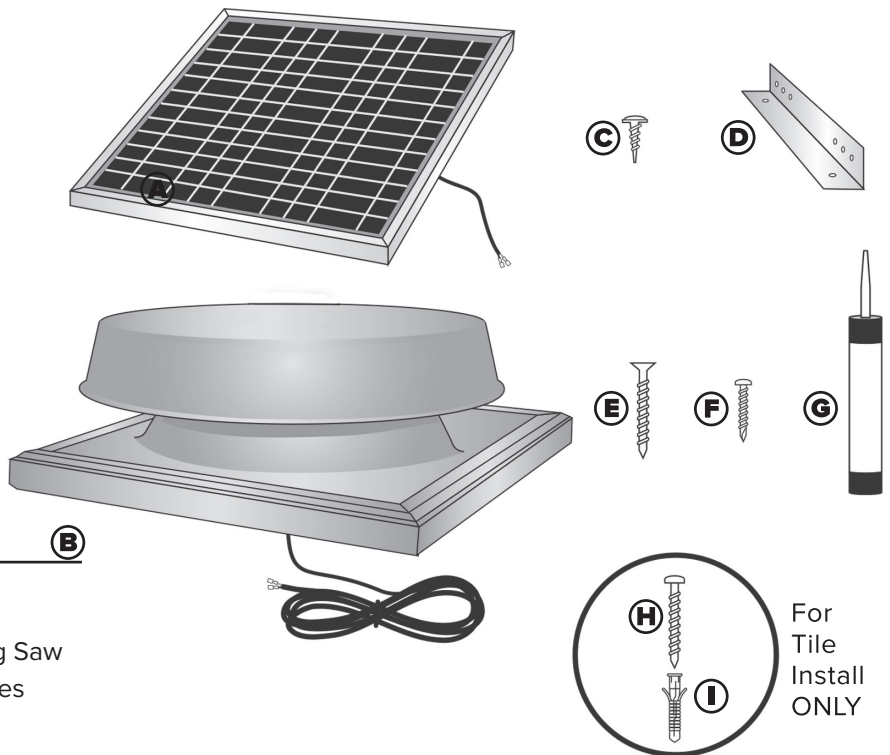
1. Ensure normal safety precautions are taken when using tools and walking on roofs.
2. Do not cut any structural members in the house.
3. Install only in dry weather

## Installation Pointers

When determining location of the curb-mounted solar attic fan, consider potential problems such as objects shading the unit during certain times of the day (southern exposure is recommended).

## Solar Attic Fan Parts:

- A. 65 Watt Solar Panel
- B. Curb Mount Solar Attic Fan
- C. (4) Phillips Head 1 1/2" Screws
- D. (2) L-Brackets
- E. (8) Wood Screws
- F. (4) Self-Tapping Screws
- G. (1) Caulk
- H. (4) Machine Screws
- I. (4) Anchors



**NOTE:** Use H & I for tile installs only

## Tools Required:

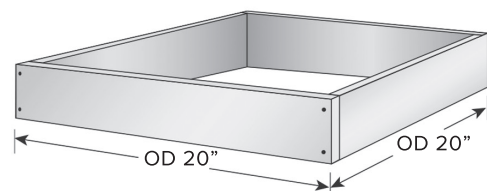
- Caulking Gun
- Electrical Tape
- Marking Pencil
- Measuring Tape
- Ladder
- Phillips Screwdriver
- Power Drill
- Reciprocating Saw
- Safety Goggles
- Stud Finder
- Utility Knife
- Wire Staples
- 1/4" Masonry Bit (for tile roofs only)

## Materials/Tools to Build a Curb:

- Pressure-Treated Lumber (2" x 6" or 2" x 8")
- Hand or Circular Saw
- Wood Screws
- Galvanized Nails
- Roofing Material (matching existing roofing)

## Step 1

Assemble a curb with the outside dimensions of 20" x 20" (see Figure 1). Use pressure-treated lumber secured at all four corners with wood screws or galvanized nails (use 2" x 6" or larger lumber - adhere to local building codes). is recommended).



## Step 2

Locate an area that is between the trusses to install the solar attic fan (southern exposure is recommended). Mount the curb to the deck centering the curb over the space between the trusses. Using a reciprocating saw, cut out opening. **DO NOT CUT STRUCTURAL FRAMING.**

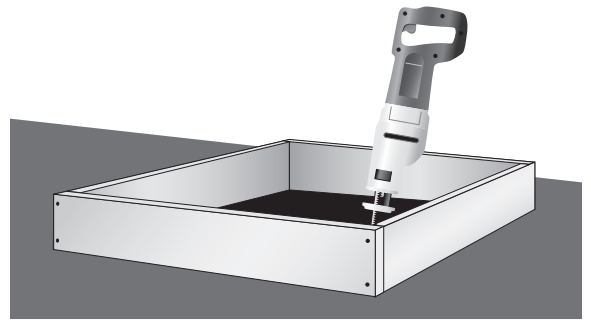


Figure 2

## Step 3

Place curb over opening and toe-nail into existing roofing using galvanized nails. If necessary, build blocking to ensure the curb is secure. Wrap curb with roofing material to prevent leaking.

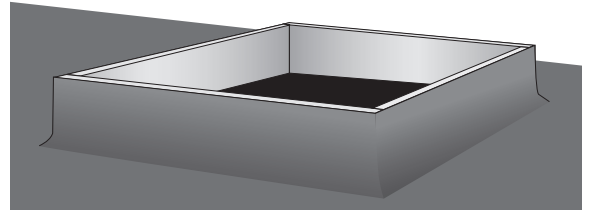


Figure 3

## Step 4

Attached the solar attic fan to the curb using (4) screws provided (C) through the pre-drilled holes on the solar attic fan curb lip.

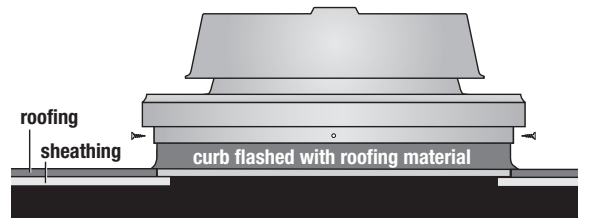
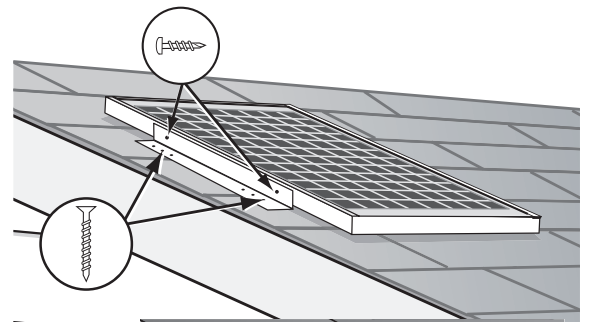


Figure 4

## Step 5

Locate area to install the solar panel on the roof where it will gather the most amount of sunlight (southern exposure is recommended). Drill a small hole on the roof under where the solar panel will be installed. Push the power cable through the hole into the attic space. Caulk around hole to prevent leaking.



## Step 6

Attach the L-brackets (D) to the long sides of the solar panel with the self-tapping (F) screws into the pre-drilled holes on the panel frame. Attach solar panel to roof using the provided wood screws (E). Caulk around the wood screws to prevent leaks.

**FOR TILE ROOFS:** Pre-drill hole in tile to accommodate the anchors provided (I). Tap anchors into holes and secure L-bracket using provided screws (H).

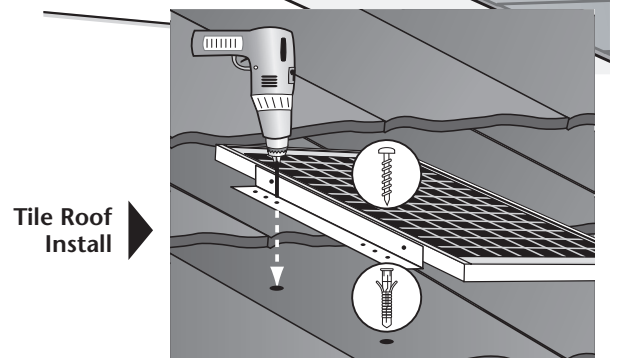


Figure 5

## Step 7

From inside the attic, locate the power cable from the attic fan unit and connect it to the power cable from the solar panel. Connect the black wire to the black wire and the red wire to the red wire - see Figure 6. For additional protection, wrap the connection with electrical tape. Secure any loose wires inside the attic using wire staples (not provided).

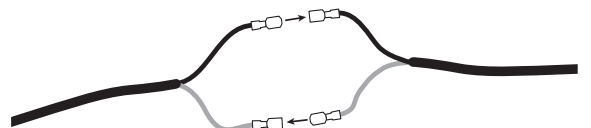


Figure 6



**W A R R A N T Y**

*This Natural Light Curb-Mounted Solar Attic Fan has a 25 year warranty on the housing, solar panel and motor.*

**IMPORTANT: PLEASE COMPLETE AND MAIL THE CARD BELOW AS SOON AS YOUR SOLAR ATTIC FAN IS INSTALLED.** This card will serve as proof of your purchase, should you misplace your original invoice.

The manufacturer warrants this product to be free from defects in material and manufacturer’s workmanship for a period of 25 years on the motor, solar panel, and housing, from the date of installation. This warranty is subject to proper installation of the unit in accordance with the manufacturer’s written installation instructions. The manufacturer will not be liable for any special, incidental or consequential damages in any way related to, or arising out of, defects in, or damage to, the gable solar fan.

This warranty gives you specific legal rights, and you may have other rights which vary from state to state concerning exclusion or limitation of incidental or consequential damages.

You can register online at [www.solaratticfan.com](http://www.solaratticfan.com) or fill out the form and mail to: **Natural Light Energy Systems • 10821 North 23rd Avenue • Phoenix, AZ 85029**

**REGISTRATION**

Solar Attic Fan Installer: \_\_\_\_\_

Customer Name: \_\_\_\_\_ Date of Purchase: \_\_\_\_\_

Address: \_\_\_\_\_

City: \_\_\_\_\_ State: \_\_\_\_\_ Zip: \_\_\_\_\_

Phone: \_\_\_\_\_ Email: \_\_\_\_\_

**Customer Survey**

Are you satisfied with the performance?    Y    N

Were you satisfied with the installation job?    Y    N

What made you choose our product?

\_\_\_\_\_