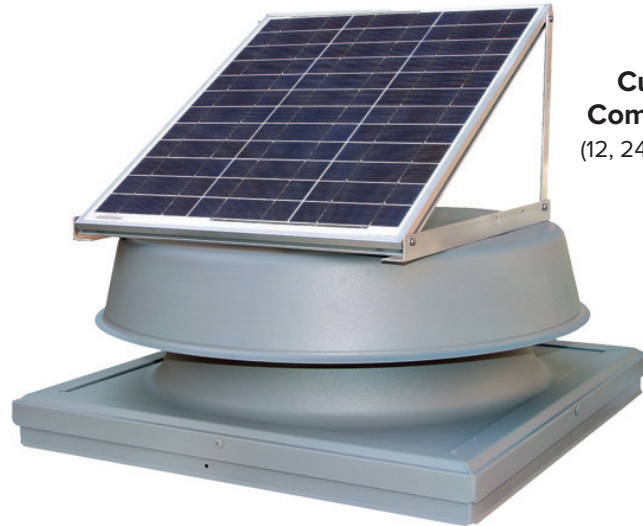


NATURAL LIGHT SOLAR ATTIC FANS

An Environmentally Friendly Money-Saving Solution



Roof Mount unit
(12, 24, 36, or 60 watt)



Curb Mount Commercial unit
(12, 24, 36, or 60 watt)

Roof venting is an important aspect in maintaining a healthful, energy-efficient home. Proper venting with a Solar Attic Fan cools your attic and extends the lifespan of roof underlayment and shingles. Cooler attics can also reduce HVAC loads and air conditioner runtimes. During the winter, the constant circulation of attic air prevents "hot spots" which melt snow only to have it refreeze and cause ice damming on eaves and gutters. And year round, our Solar Attic Fan reduces humidity and moisture build-up which can cause rust, wood rot, and the formation of mold and mildew.

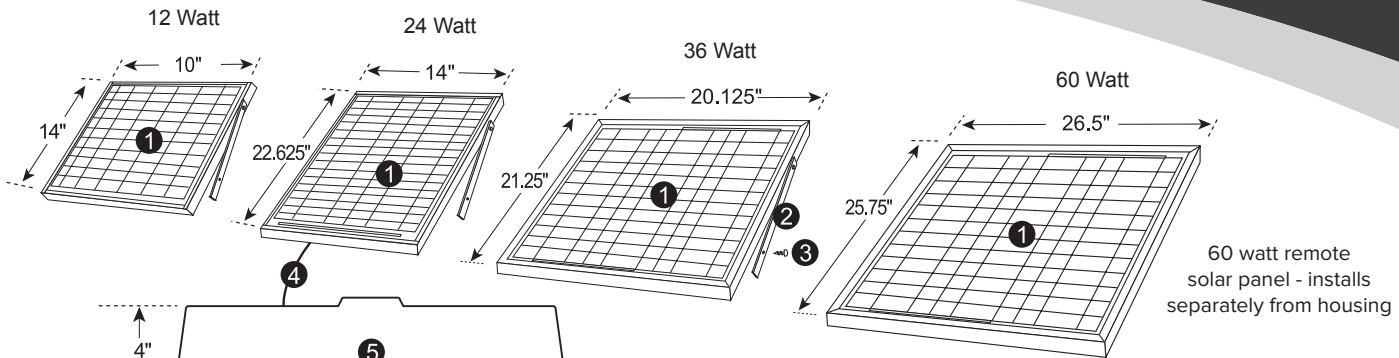
Choose among 12, 24, 36, and 60 watt panels for Roof Mount, Curb Mount, and Gable Mount units.

Gable Mount unit
(12, 24, 36, or 60 watt)



OUTSTANDING 25-YEAR WARRANTY
on all parts—including the motor!

HURRICANE TESTED
FLORIDA BUILDING CODE APPROVED (FL13509)



60 watt remote solar panel - installs separately from housing

NOTE: Exploded view of Solar Attic Fan is for illustrative purposes only. Unit comes fully assembled.

1. Custom Solar Panel (12, 24, 36, or 60 watt available)*
2. (2) Adjustable Solar Panel Bracket
3. (2) #8 x .75" Self-Tapping Screws
4. 18 Gauge Tinned Copper Wire Lead
5. 1100 Series, Commercial Grade Aluminum Hood
6. Custom DC Motor
7. Motor Bracket Assembly
8. Precision Pitch 5 Blade Fan
9. 3.25" x 48" Stainless Steel Wire Mesh
10. (4) Rugged 14 Gauge Hood Support Bracket
11. 1100 Series, Commercial Pure Grade Aluminum Flashing
12. (6) #6 x 1.5" Stainless Steel Phillips Head Screws

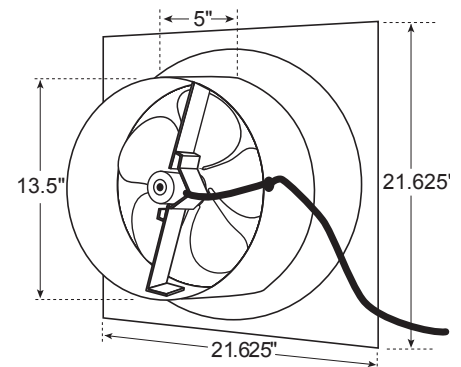
*solar panel dimensions may vary slightly

OPTIONAL ACCESSORIES:

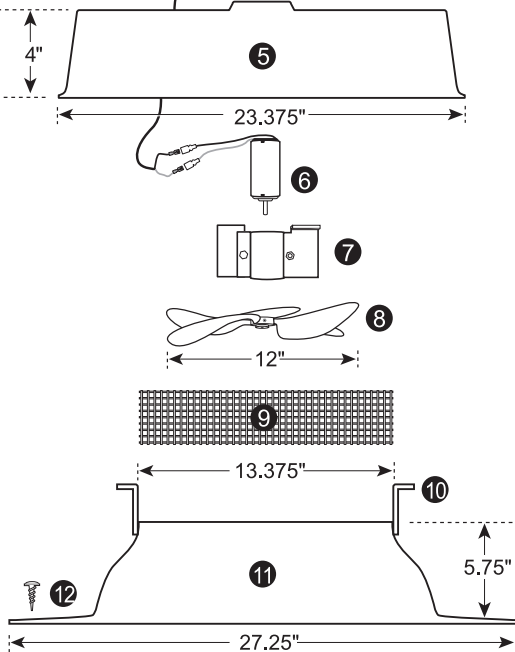
- Remote Panel—for when the fan unit needs more sunlight exposure
- Fire Safety Switch—to shut down the fan in case of an attic fire
- Thermal Snap Switch—turns on fan when the temperature reaches 80° and off when it falls to 70°
- Garage Vent Kit—for venting through garage ceilings
- Flashing Skirts & Tile Extensions—for tile roof installations

SOLAR PANEL VENTING CAPACITY

- 12 watts – up to 1,260 sf up to 893 CFMs
- 24 watts – up to 2,100 sf up to 1,339 CFMs
- 36 watts – up to 2,625 sf up to 1,628 CFMs
- 60 watts – up to 3,255 sf up to 1,995 CFMs



Gable Mounted Fan



Roof Mount Flashing

Curb Mount Flashing

